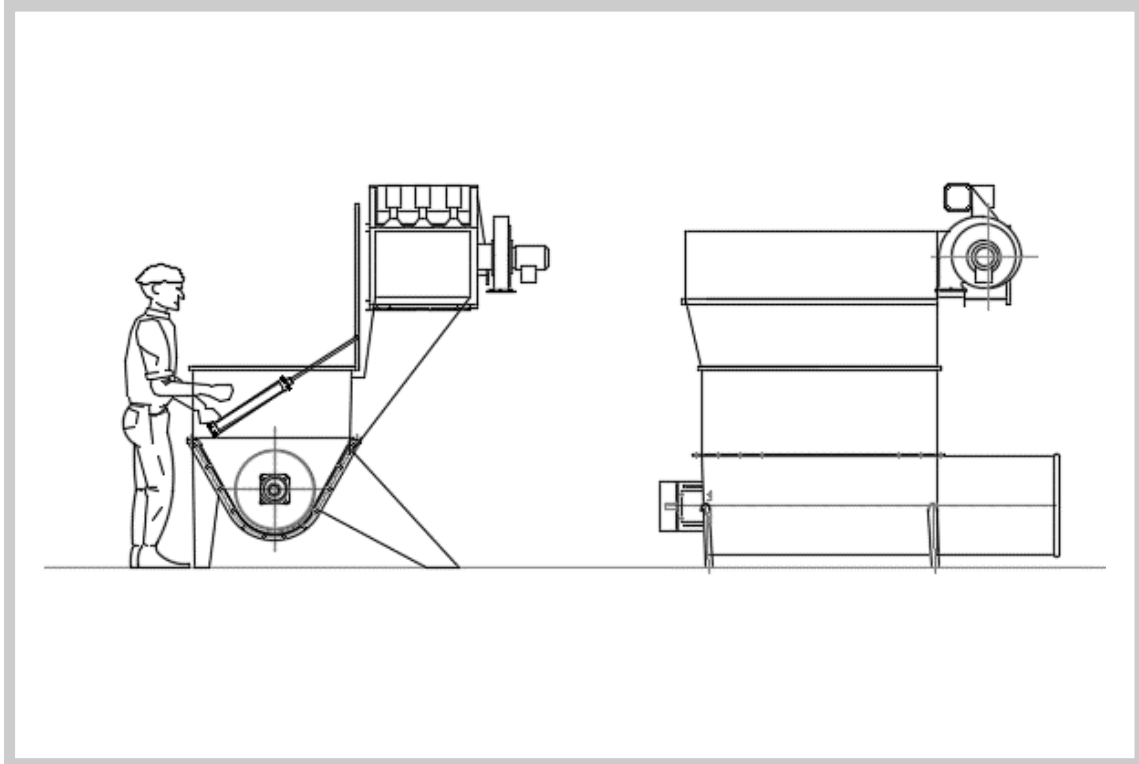


Big-Bag / Bulk-Bag Compactor

Type: WBC



Application

Empty big bags are effectively and efficiently dusttight compacted. Via an optional (integrated or external) filter, a complete dusttight system is guaranteed.

Operation

The big bag compactor can be set up directly next to the work area. A control system takes care of all required steps.

Optional extra's

- Filter with fan
- Door with gas springs or cylinders
- Electrical control
- Mobile version
- Atex certified

