

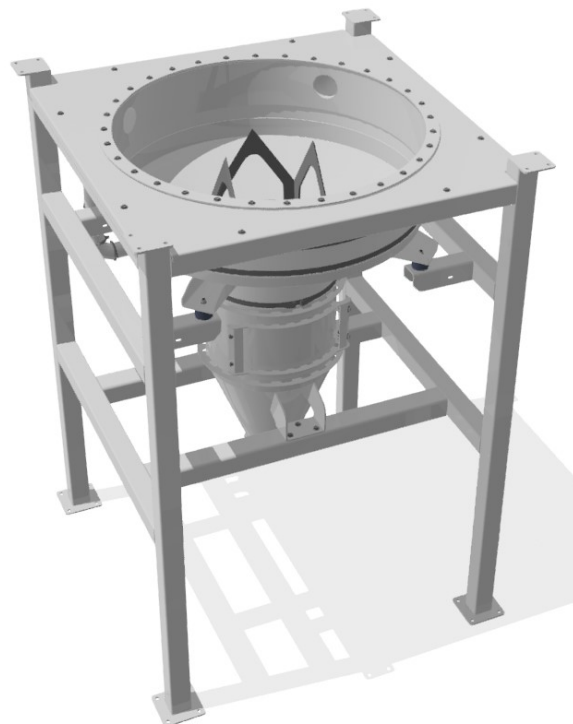
Big-Bag / Bulk Bag Discharger

Type: BBL



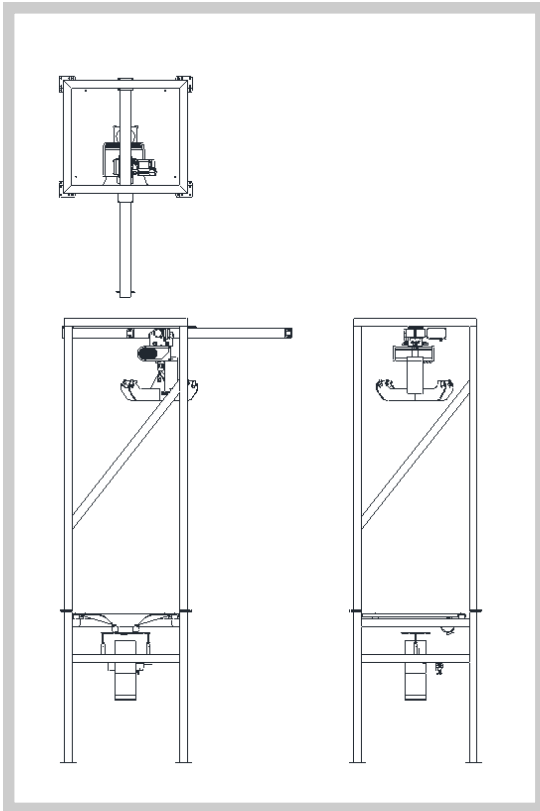
Optional :

- Bag Pushers to active product which are extremely compacted.
- Cutting knife for Big-Bags without a spout without operator intervention.
- Mobile version
- Hoist with wireless control panel
- vacuuming big-bag
- Integrated bag dumping cabinet
- Weighing system (loss-in-weight)
- Special food requirements
- Spout clamping manually or pneumatic actuated
- Hoisting frame with dust collector
- Hoisting frame with line clamping

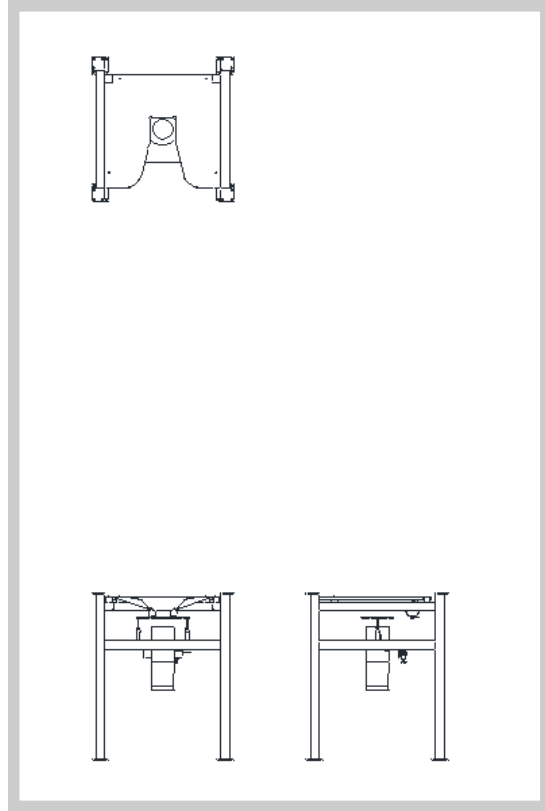


Big-Bag / Bulk Bag Discharger

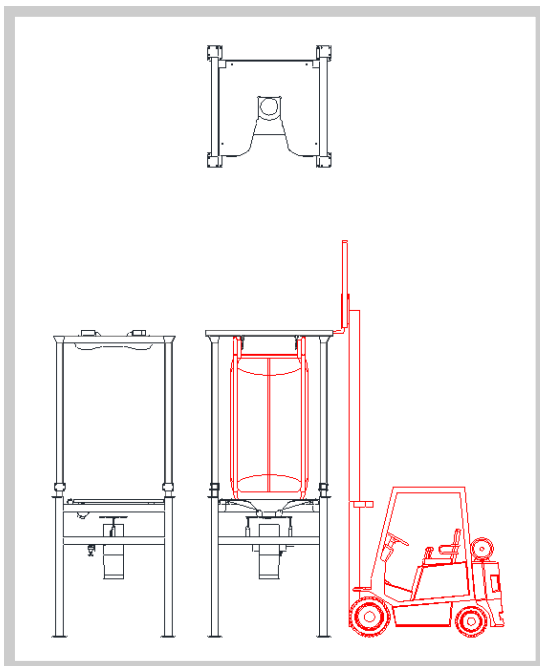
Type: BBL



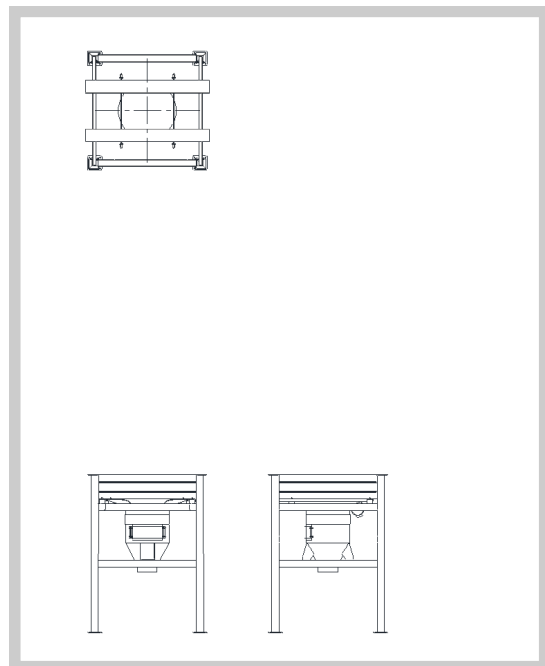
1 Type BBL-CAVH With integrated crane beam



2 Type BBL-CAV



3 Type BBL-CAVF Suitable for forklifttruck and crane



4 Type BBL-C with knife for Big-Bags without spout