

Hammer mill up to 8 ton/h

Type: P30, 3000 rpm



Application

Poeth hammermills are specially designed for the grinding of raw materials in the feedmill and associated industries.

Operation

A fully automatic drum-feeder doses as large as possible quantity of the material into the mill where it is finely ground through the breaker plates and perforated screens. Meal discharge occurs via a separate high pressure fan, or by a mechanical conveying system, with a medium pressure fan.

Construction

Strong attractively styled welded housing with large access door. Rotor mounted on a robust shaft on ball bearings dynamic balanced motor. Mill and motor are mounted on a platform with vibration absorbers. All worn parts can be easily replaced.

Optional extra's

- temperature gauge for the bearings

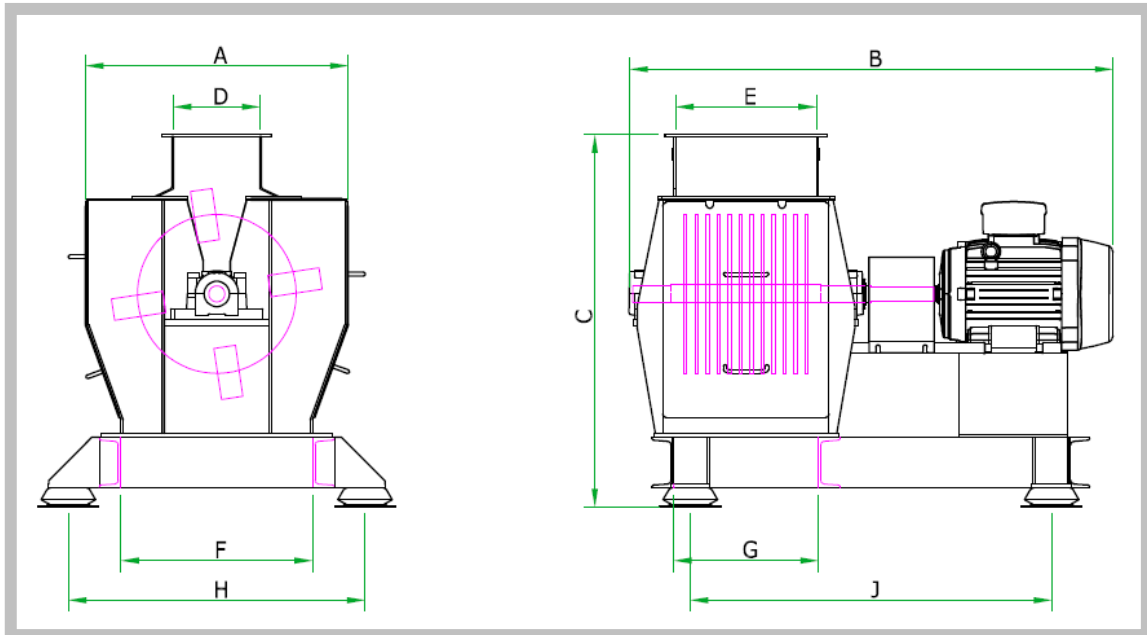
Benefits

- two turning directions
- quick changing of hammers
- high efficiency
- low maintenance costs



Hammer mill up to 8 ton/h

Type: P30, 3000 rpm



Type	Drive power kW	Sieve area m ²	Dimensions								
			A	B	C	D	E	F	G	H	J
P30/250	18,5-22	0,33	720	1300	1025	240	240	530	250	820	1000
P30/400	30-45	0,56	720	1700	1025	240	390	530	400	820	1000

Dimensions are for indication only. Additional data will be sent on request.

