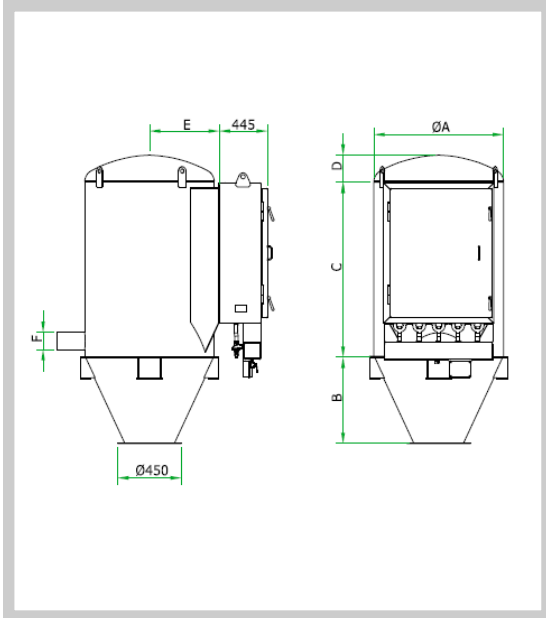


# Recept vacuum filter

Type: RHV



Type	Filter area m <sup>2</sup>	Dimensions						Weight kg	Air use* Nm <sup>3</sup> /h	
		A	B	C	D	E	F			
RHV110	CA.107	7	1300	800	1200	220	700	101,6	620	5
	CA.110	10								5
RHV115	CA.112	12,5	1700	1150	1200	275	900	133,0	900	5
	CA.115	15								5
RHV210	CA.207	14	1300	800	1800	220	700	159,0	780	8,5
	CA.210	20								8,5
RHV215	CA.212	25	1700	1150	1800	275	900	219,1	1100	8,5
	CA.215	30								8,5
RHV315	CA.312	37,5	1700	1150	2400	275	900	267,0	1310	11
	CA.315	45								11

\* at 6 bar and use of basic controller

Dimensions are for indication only. Additional data will be sent on request.